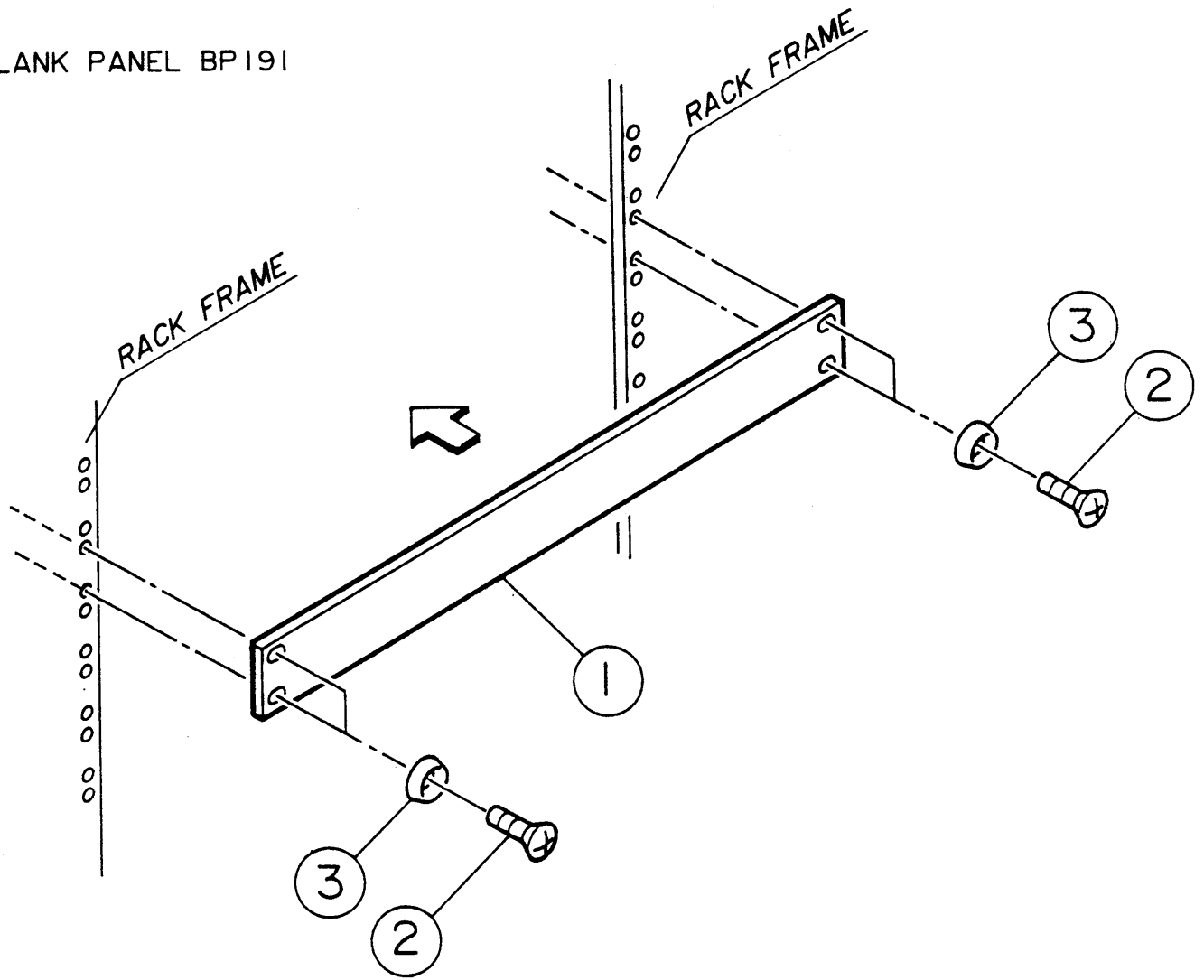


BLANK PANEL BP191



NO.	DESCRIPTION	QTY.	CODE NO.
1	BLANK PANEL BP191	1	A4-906-001
2	SCREW, OVAL HEAD M5x0.8x14 B-NI	4	M2-002-091
3	FINISHING WASHER 5CW	4	M5-003-031